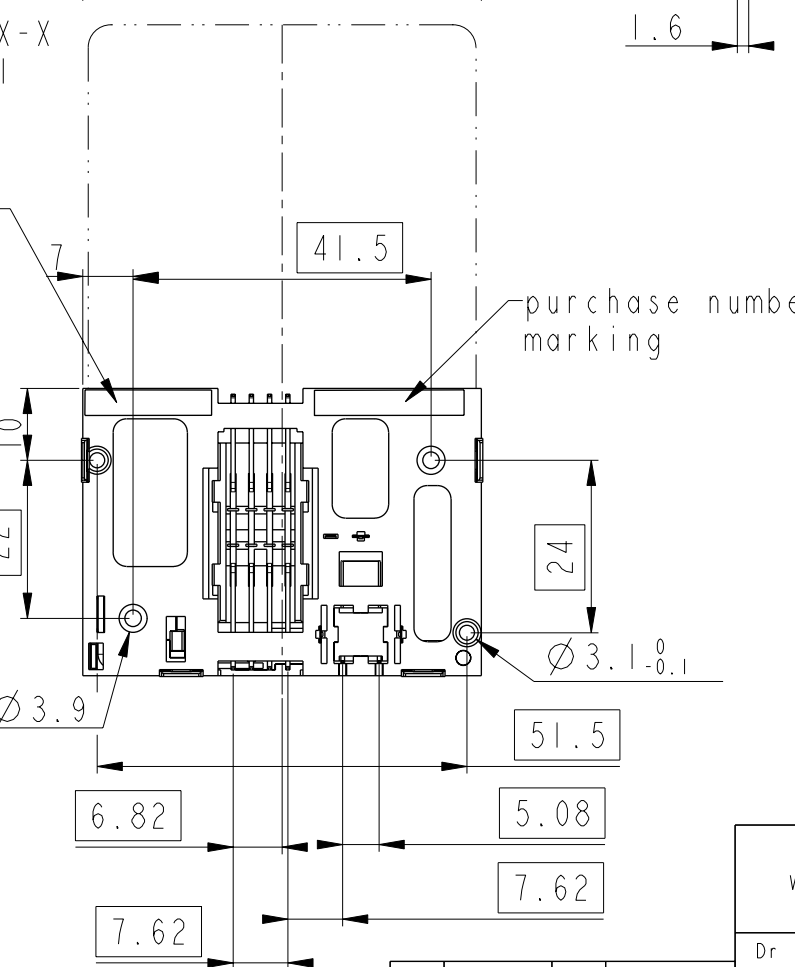
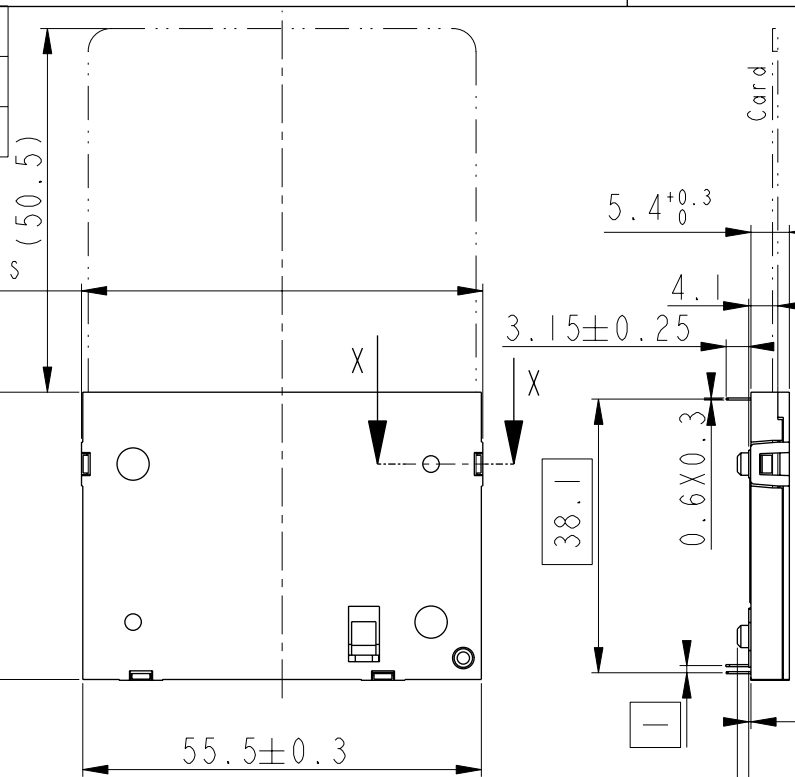
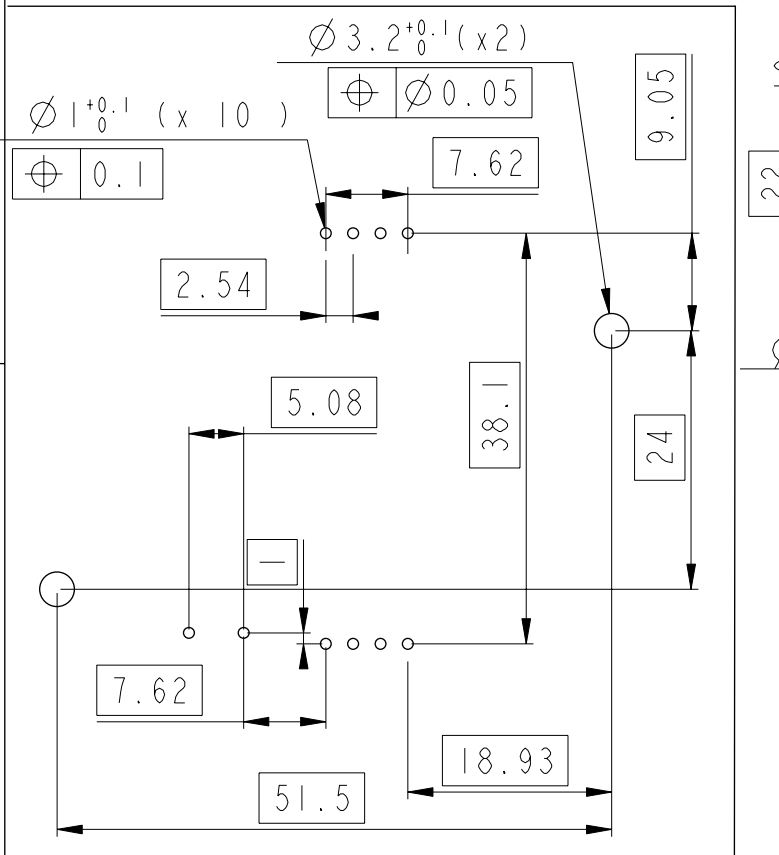
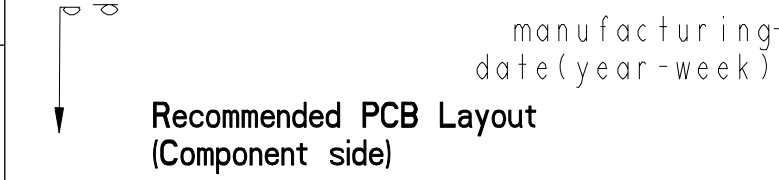
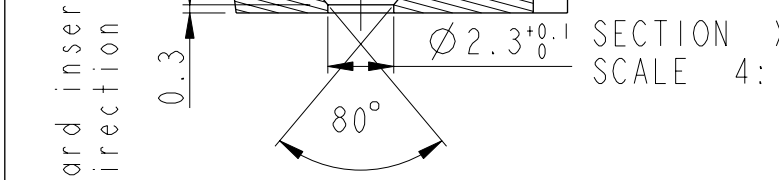
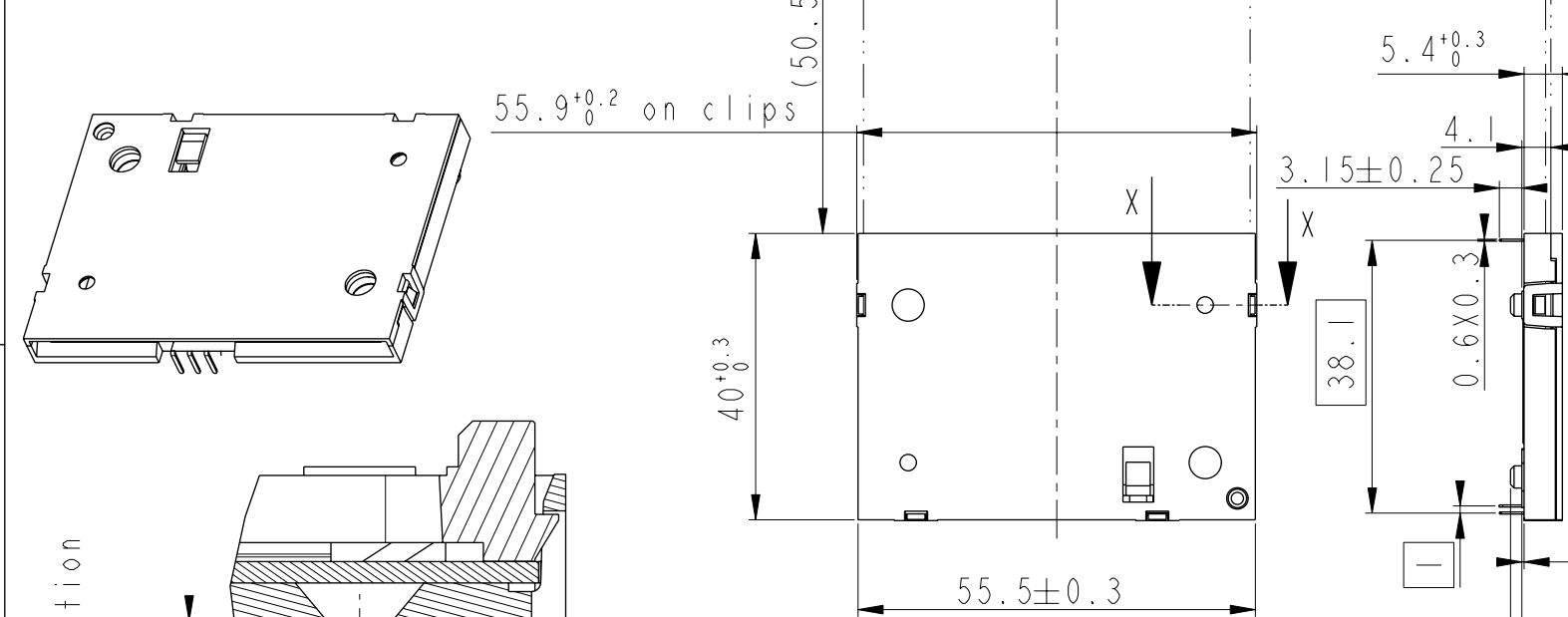


PART NUMBER	LEAD FREE VERSION	MARKING
7432E0225S01	7432E0225S01LF	YES
7332E0225S01	7332E0225S01LF	NO



General Tolerances	
0 to 10mm:	±0.1mm
10 to 30mm:	±0.15mm
30 to 60mm:	±0.2mm
60 and more:	±0.3mm

rev	ecn no	dr	date
A	F20307	DLE	2002/04/29
B	F20341	DLE	2002/06/04
C	LS3077	MPE	2003/09/17
D	LS3088	MPE	2003/10/13
E	I05-0176	NT	2005/09/30
F	I06-0078	DTK	2006/06/19
G	I08-0136	SSC	2008/10/10

**GENERAL :**  
 High cycle life duration smart card connector with landing type contacts mechanism. The landing type connector also provides the feature of recessed contacts when card is not inserted which protects them against vandalism.  
 Smart card for reference purposes only.

**ELECTRICAL PROPERTIES:**  
 Insulation resistance : > 1000MΩ  
 Dielectric withstanding voltage : >750 Vrms  
 Current carrying capacity : Min 10μA, Max 1A  
 Contact resistance : < 100mΩ

**MECHANICAL PROPERTIES :**  
 Operating force : Insertion : F < 10N  
 Withdrawal : 1 < F < 10N  
 Contact Normal force : 0.2 < F < 0.3 for 0.6mm of deflection  
 Durability : 200 000 mating cycles

**MATERIAL :**  
 Head reader : High temp. Thermoplastic, Colour Black, Rated UL94V0  
 Cover : High temp. Thermoplastic, Colour Grey, Rated UL94V0  
 Contacts : Copper alloy,  
 Plating : 2.5μm Nickel min. all over  
 2μm Gold min. on contact area  
 3μm SnPb(60/40) min. on solder tails (FOR LEADED VERSION)  
 3μm matte tin min. on solder tails (FOR LEAD FREE VERSION)

**ENVIRONMENT :**  
 Operating temperature : -40°C / +85°C  
 Climatic conditions : UTE 93-421

**PACKAGING :**  
 Plastic cavity tray

LEAD FREE VERSION:

"This product meets European Union Directives and other country regulations as described in GS-22-008"

The housing will withstand exposure to 260°C peak temperature for 3-5 seconds in a wave solder application with a 1.6mm minimum thick circuit board.

www.fciconnect.com		surface -- ✓	tolerance std	projection	mm
		ISO 1302	ISO 406 ISO 1101		Scale
		TOLERANCES UNLESS OTHERWISE SPECIFIED			1:1
Dr	J. TARON	2002/04/29	ANGULAR	0.x	±
Eng	LE GALLIC	2002/04/29	LINEAR	0.xx	±
Chr	S.S.CHERIAN	2008/10/10	0° ±°	0.xxx	±
Appr	S.S.CHERIAN	2008/10/10	Product family	MOBILE I/O	Spec ref
				size	A3
				ECN	I08-0136
				catalog no	See Table
				CUSTOMER	sheet 1 of 1
				Rev.	G



Copyright FCI.